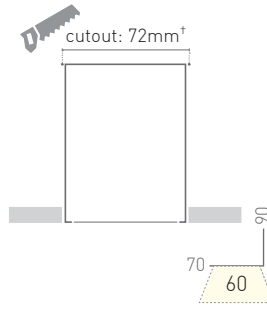
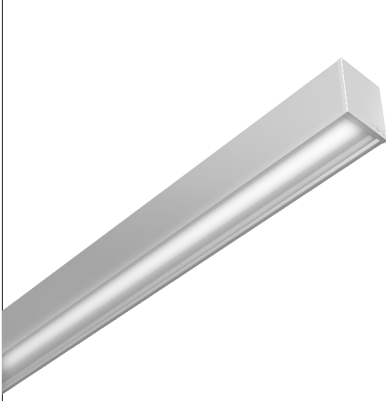


†cut out length = O/A length + 2mm



Direct	LEDoptek				
LED lumens/m	1000	1500	2250	3350	4500
Delivered Lumens/m	650	975	1463	2025	2925
Standard CRI	>90				
System W/m					
2700K	10.8	17.3	24.8	36	43.2
3000K	9.1	15.8	23.5	34.5	41
3500K	9.1	15.8	23.4	34.5	41
4000K	9.7	14	22.7	33.4	38.9
<b>Other LED Options</b>	5000K · RGBW · tuneable white · cyanosis · high CRI 98 R9 > 80				
<b>Control</b>	non dim · DALI · Casambi · 0-10V · DMX				
<b>Optics</b>	LEDoptek - symmetric				
<b>Finish</b>	white/black/silver powder coat standard · custom powder coat · clear anodised				
<b>Weight/Pack Size</b>	4.5kg/m - 127 x 159 x (L+100mm)				
<b>Mounting</b>	direct fix to overhead structure				
<b>Accessories</b>	mitred bends · T-joins · sensors · emergency recessed LED · others available				
<b>Luminaire Length</b>	any length over 500mm with fully illuminated diffuser				

KAL060BMDRT-LEDoptek-20200331-01

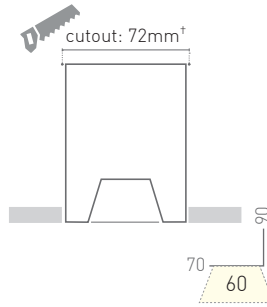


†cut out length = O/A length + 2mm



Direct	LEDmikro				
LED lumens/m	1000	1500	2250	3350	4500
Delivered Lumens/m	788	1212	1847	2723	3507
Standard CRI	>90				
System W/m					
2700K	10.8	17.3	24.8	36	43.2
3000K	9.1	15.8	23.5	34.5	41
3500K	9.1	15.8	23.4	34.5	41
4000K	9.7	14	22.7	33.4	38.9
<b>Other LED Options</b>	5000K · RGBW · tuneable white · cyanosis · high CRI 98 R9 > 80				
<b>Control</b>	non dim · DALI · Casambi · 0-10V · DMX				
<b>Optics</b>	LEDmikro				
<b>Finish</b>	white/black/silver powder coat standard · custom powder coat · clear anodised				
<b>Weight/Pack Size</b>	4.5kg/m - 127 x 159 x (l+100mm)				
<b>Mounting</b>	direct fix to overhead structure				
<b>Accessories</b>	mitred bends · T-joins · sensors · emergency recessed LED · others available				
<b>Luminaire Length</b>	any length over 500mm with fully illuminated diffuser				

KAL060BMDRT-LEDmikro-20220404-01



†cut out length = O/A length + 2mm

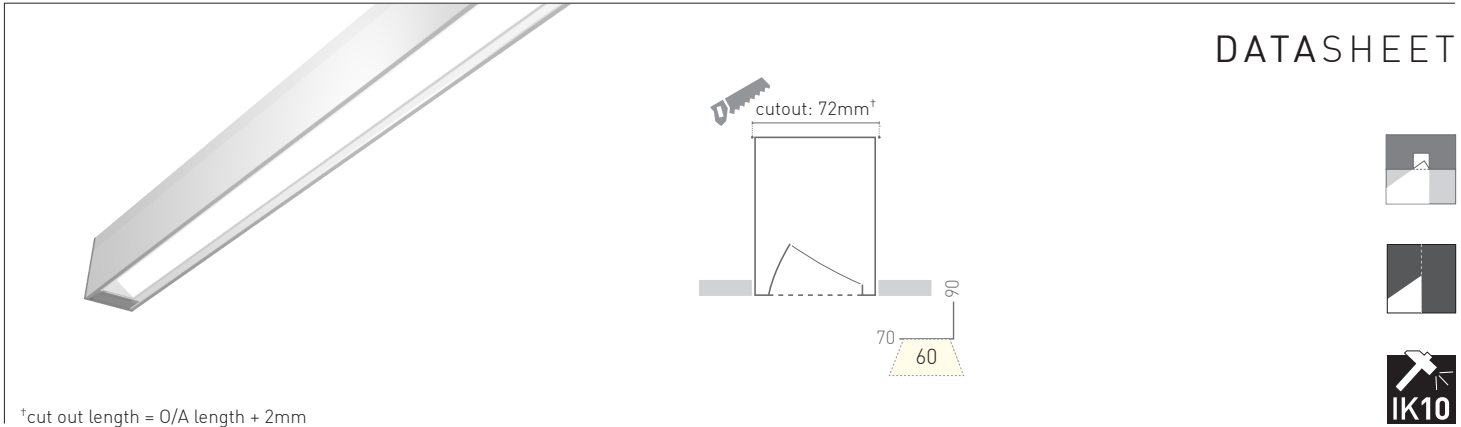


Direct	Ultra High Performance J6 Lensed Louvre			
Module Length <sup>1</sup>	7 cell module 280mm O/A <sup>2</sup>			
Lumens	779			
Louvre Colour	White		Black	
Beam Angle	50°	80°	50°	80°
Delivered Lumens	712	707	684	649
Standard CRI	>90			
<b>System Power</b>	7 cell continuous module			
2700K	7.6			
3000K	7.2			
3500K	7.2			
4000K	6.6			
<b>Control</b>	non dim · DALI · Casambi · 0-10V · DMX			
<b>Optics</b>	Ultra High Performance - UHP-J6 50° & 80°			
<b>Finish</b>	white/black/silver powder coat standard · custom powder coat · clear anodised			
<b>Weight/Pack Size</b>	4.5kg/m - 127 x 159 x (l+100mm)			
<b>Mounting</b>	direct fix to overhead structure			
<b>Accessories</b>	mitred bends · T-joins · sensors · emergency recessed LED · others available			
<b>Luminaire Length</b>	Minimum length 420mm with remote gear, lengths over 670mm have integral gear.			

1: photometric file length based on luminous opening

2: minimum 30mm blank cover at ends, can be run continuously

KAL060BMDRT-UHPJ6-20211110-01



†cut out length = O/A length + 2mm



Direct	Asymmetric Wall Washer				
LED lumens/m	1000	1500	2250	3350	4500
Delivered Lumens/m	760	1140	1710	2368	3420
Standard CRI	>90				
<b>System W/m</b>					
2700K	10.8	17.3	24.8	36	43.2
3000K	9.1	15.8	23.5	34.5	41
3500K	9.1	15.8	23.4	34.5	41
4000K	9.7	14	22.7	33.4	38.9
<b>Other LED Options</b>	5000K · RGBW · tuneable white · cyanosis · high CRI 98 R9 > 80				
<b>Control</b>	non dim · DALI · Casambi · 0-10V · DMX				
<b>Optics</b>	Asymmetric Wall Washer				
<b>Finish</b>	white/black/silver powder coat standard · custom powder coat · clear anodised				
<b>Weight/Pack Size</b>	4.5kg/m - 127 x 159 x (l+100mm)				
<b>Mounting</b>	direct fix to overhead structure				
<b>Accessories</b>	mitred bends · T-joints · sensors · emergency recessed LED · others available				
<b>Luminaire Length</b>	any length over 500mm with min 30mm cover at each end plate				

KAL060BMDRT-Asym-20200331-01

**KALLI 060 Beam DRT**  
Asymmetric

