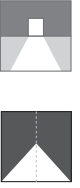
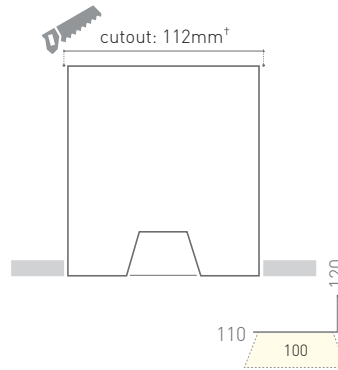


†cut out length = OA length (inc flange) + 2mm



| Direct                   | LEDoptek  |      |      |      |      |
|--------------------------|---|------|------|------|------|
| LED lumens/m             | 1000  | 1500 | 2250 | 3350 | 4500 |
| Delivered Lumens/m       | 730   | 1095 | 1643 | 2274 | 3285 |
| Standard CRI             | >90   |      |      |      |      |
| System W/m               |   |      |      |      |      |
| 2700K                    | 10.8  | 17.3 | 24.8 | 36   | 43.2 |
| 3000K                    | 9.1   | 15.8 | 23.5 | 34.5 | 41   |
| 3500K                    | 9.1   | 15.8 | 23.4 | 34.5 | 41   |
| 4000K                    | 9.7   | 14   | 22.7 | 33.4 | 38.9 |
| <b>Other LED Options</b> | 5000K · RGBW · tuneable white · cyanosis · high CRI 98 R9 > 80                |      |      |      |      |
| <b>Control</b>           | non dim · DALI · Casambi · 0-10V · DMX  |      |      |      |      |
| <b>Optics</b>            | LEDoptek - symmetric  |      |      |      |      |
| <b>Finish</b>            | white/black/silver powder coat standard · custom powder coat · clear anodised |      |      |      |      |
| <b>Weight/Pack Size</b>  | 5.8kg/m - 167 x 189 x (l+100mm)   |      |      |      |      |
| <b>Mounting</b>          | direct fix to overhead structure  |      |      |      |      |
| <b>Accessories</b>       | mitred bends · T-joins · sensors · emergency recessed LED · others available  |      |      |      |      |
| <b>Luminaire Length</b>  | any length over 500mm with fully illuminated diffuser                         |      |      |      |      |

KAL100BMDRT-LEDoptek-20200331-01



†cut out length = OA length (inc flange) + 2mm

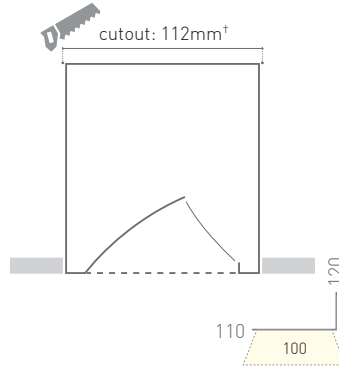
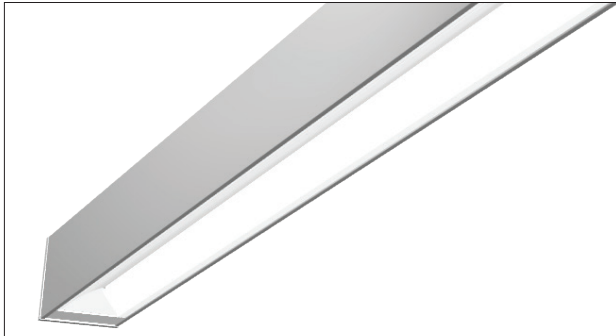


| Direct                     | Ultra High Performance J6 Lensed Louvre                                       |     |       |     |
|----------------------------|---|-----|-------|-----|
| Module Length <sup>1</sup> | 7 cell module 280mm O/A <sup>2</sup>  |     |       |     |
| Lumens                     | 779   |     |       |     |
| Louvre Colour              | White   |     | Black |     |
| Beam Angle                 | 50°   | 80° | 50°   | 80° |
| Delivered Lumens           | 712   | 707 | 684   | 649 |
| Standard CRI               | >90   |     |       |     |
| <b>System Power</b>        | 7 cell continuous module  |     |       |     |
| 2700K                      | 7.6   |     |       |     |
| 3000K                      | 7.2   |     |       |     |
| 3500K                      | 7.2   |     |       |     |
| 4000K                      | 6.6   |     |       |     |
| <b>Control</b>             | non dim · DALI · Casambi · 0-10V · DMX  |     |       |     |
| <b>Optics</b>              | Ultra High Performance - UHP-J6 50° & 80°                                     |     |       |     |
| <b>Finish</b>              | white/black/silver powder coat standard · custom powder coat · clear anodised |     |       |     |
| <b>Weight/Pack Size</b>    | 6.8kg/m - 167 x 189 x (+100mm)  |     |       |     |
| <b>Mounting</b>            | direct fix to overhead structure  |     |       |     |
| <b>Accessories</b>         | mitred bends · T-joins · sensors · emergency recessed LED · others available  |     |       |     |
| <b>Luminaire Length</b>    | Minimum 7 Cell module any length over 300mm                                   |     |       |     |

1: photometric file length based on luminous opening

2: minimum 30mm blank cover at ends, can be run continuously

KAL100BMDRT-UHPJ6-20211110-01



\*cut out length = OA length (inc flange) + 2mm



| DIRECT                   | Asymmetric Wall Washer  |      |      |      |      |
|--------------------------|---|------|------|------|------|
| LED lumens/m             | 1000  | 1500 | 2250 | 3350 | 4500 |
| Delivered Lumens/m       | 800   | 1200 | 1800 | 2492 | 3600 |
| Standard CRI             | >90   |      |      |      |      |
| <b>System W/m</b>        |   |      |      |      |      |
| 2700K                    | 10.8  | 17.3 | 24.8 | 36   | 43.2 |
| 3000K                    | 9.1   | 15.8 | 23.5 | 34.5 | 41   |
| 3500K                    | 9.1   | 15.8 | 23.4 | 34.5 | 41   |
| 4000K                    | 9.7   | 14   | 22.7 | 33.4 | 38.9 |
| <b>Other LED Options</b> | 5000K · RGBW · tuneable white · cyanosis · high CRI 98 R9 > 80                |      |      |      |      |
| <b>Control</b>           | non dim · DALI · Casambi · 0-10V · DMX  |      |      |      |      |
| <b>Optics</b>            | Asymmetric Wall Washer  |      |      |      |      |
| <b>Finish</b>            | white/black/silver powder coat standard · custom powder coat · clear anodised |      |      |      |      |
| <b>Weight/Pack Size</b>  | 5.8kg/m - 167 x 189 x (L+100mm)   |      |      |      |      |
| <b>Mounting</b>          | direct fix to overhead structure  |      |      |      |      |
| <b>Accessories</b>       | mitred bends · T-joins · sensors · emergency recessed LED · others available  |      |      |      |      |
| <b>Luminaire Length</b>  | any length over 500mm with min 30mm cover at each end plate                   |      |      |      |      |

KAL100BMDRT-Asym-20200331-01

**KALLI 100 Beam DRT**  
Asymmetric

