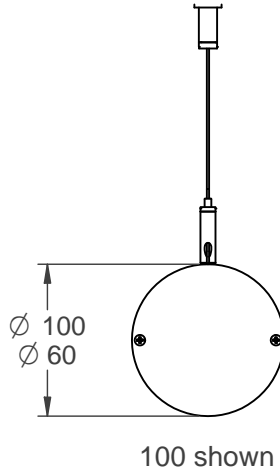
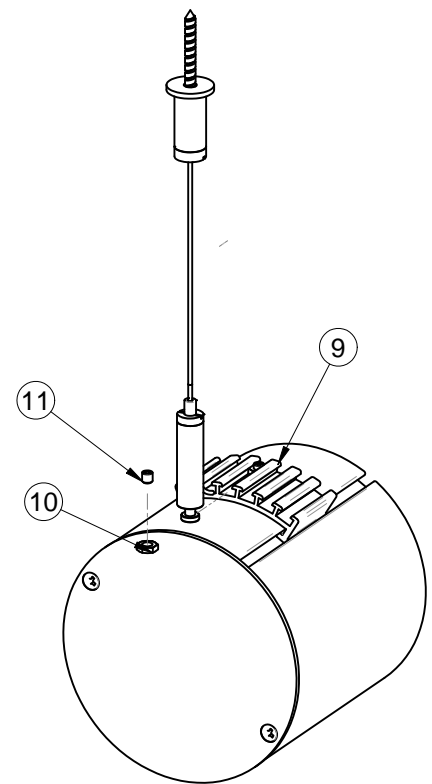
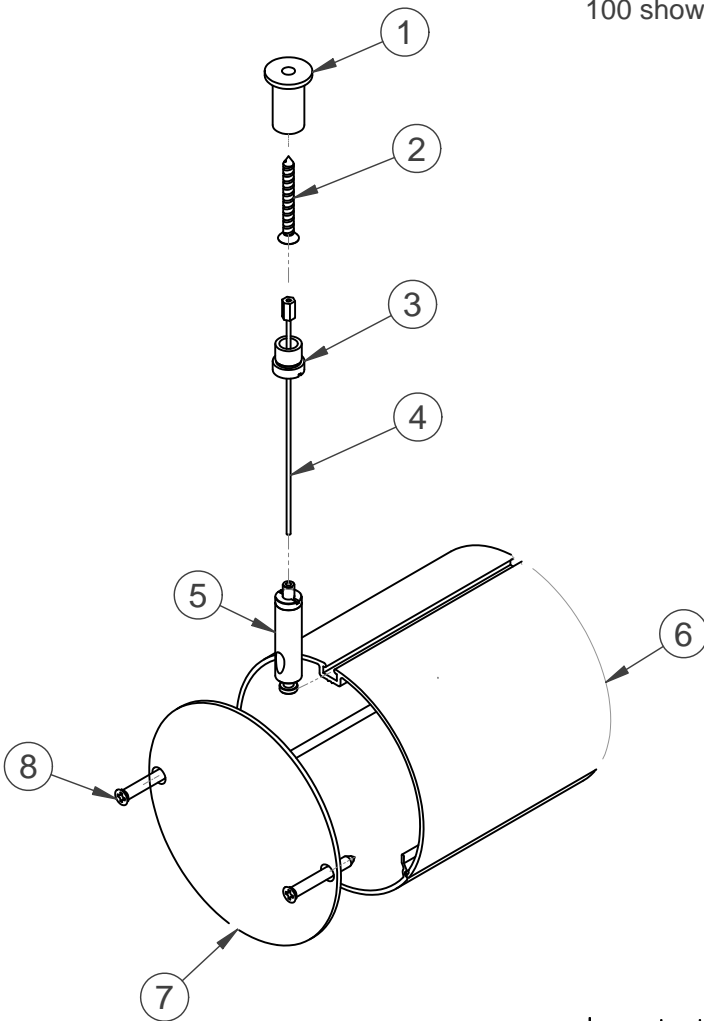


Round Series Suspension Wire Instruction



Item #	Title
1	Suspension Ceiling Barrel
2	8G x 38mm C/S self-tapping screw
3	Suspension Ceiling Barrel Cap
4*	Suspension Wire (1,2,3,4 & 5mtr)
5	Gripper Wire Lug
6	100 Round body
7	100 Round End Plate
8	8G x 35mm CS c/w 6G head

Item #	Title
9	100R Tilt bracket
10	Hexagon Nut M4
11	M4 x 4mm Grub Screw



Optional Tilt Bracket

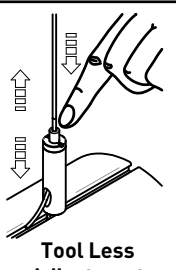
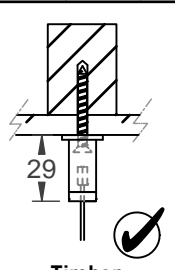
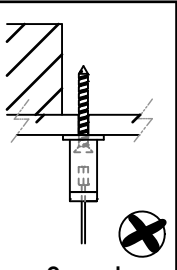
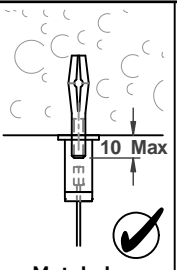
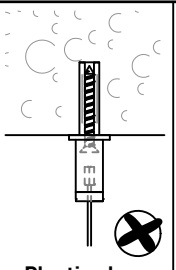
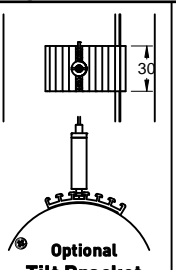
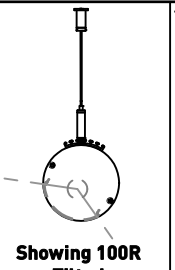
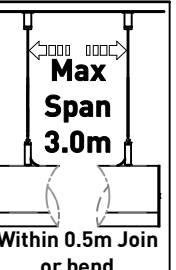
Important

Using appropriate fasteners to suit the mounting surface is the responsibility of the installer.

Units should be evenly suspended to avoid the over-loading of suspension wires.

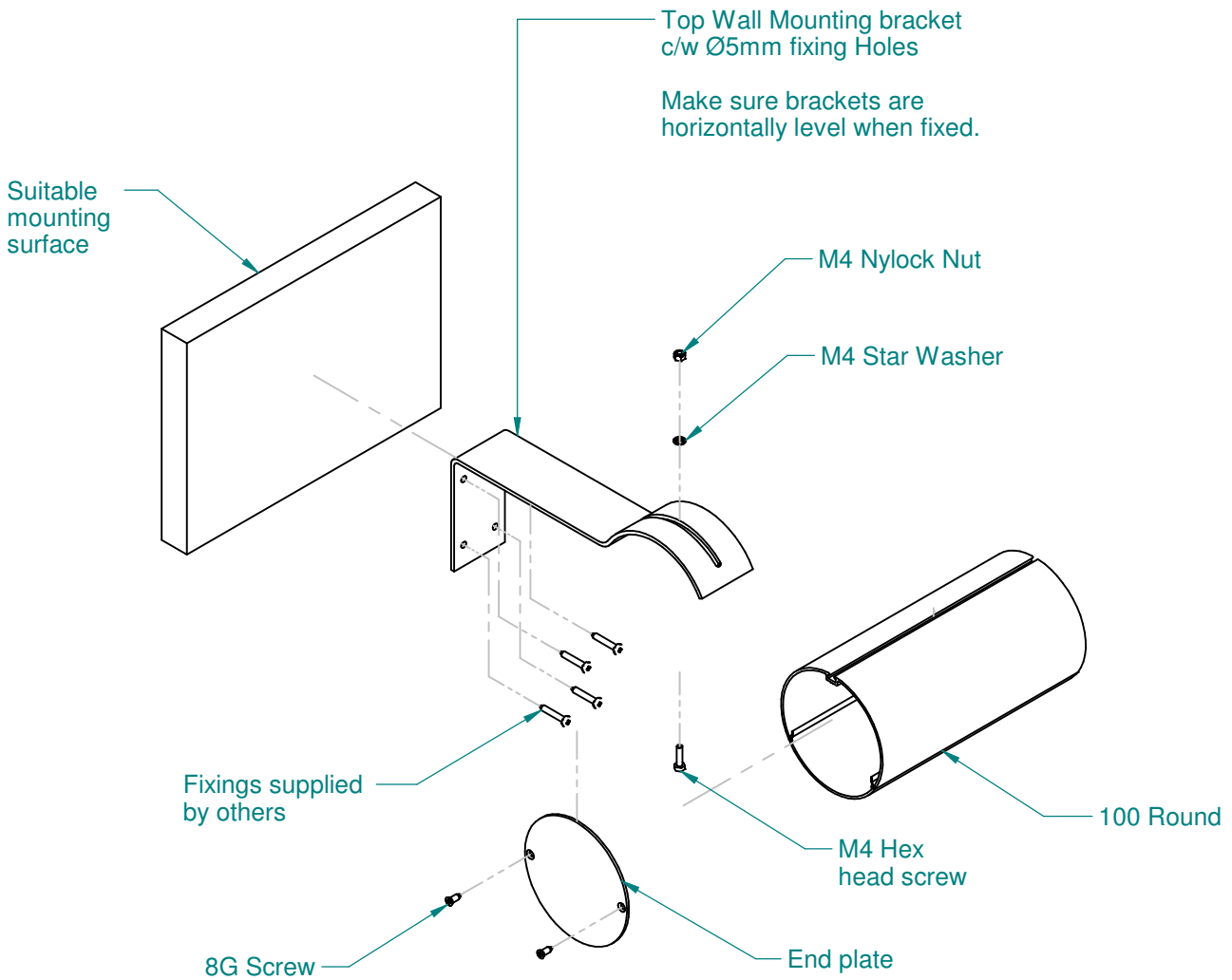
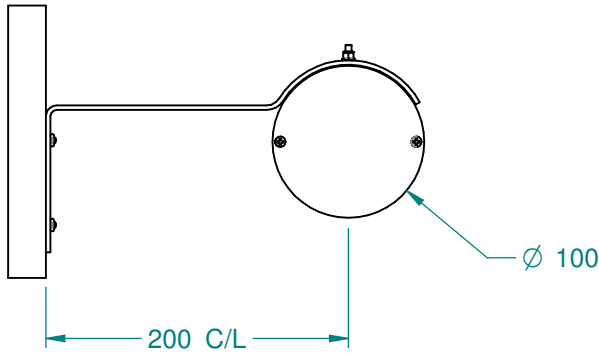
A maximum loading of 50kg is recommended on a single wire at any one time.

Type of protection: Class 1 Luminaire | Nominal Voltage 230-240V 50/60Hz

 <p>Tool Less Adjustment</p>	 <p>Timber</p>	 <p>Gyprock</p>	 <p>Metal plug</p>	 <p>Plastic plug</p>	 <p>Optional Tilt Bracket</p>	 <p>Showing 100R Tilted</p>	 <p>Max Span 3.0m Within 0.5m Join or bend</p>
--	---	--	---	---	---	--	---

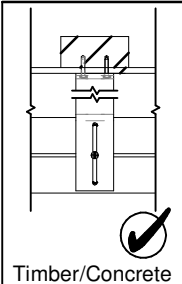
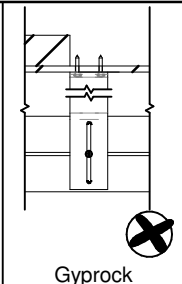
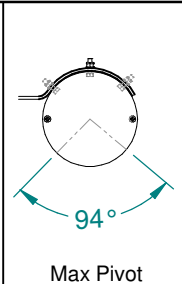
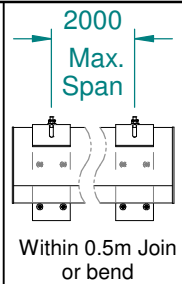
10337-02-G

100 Round Top Bracket Wall Mounting Instruction



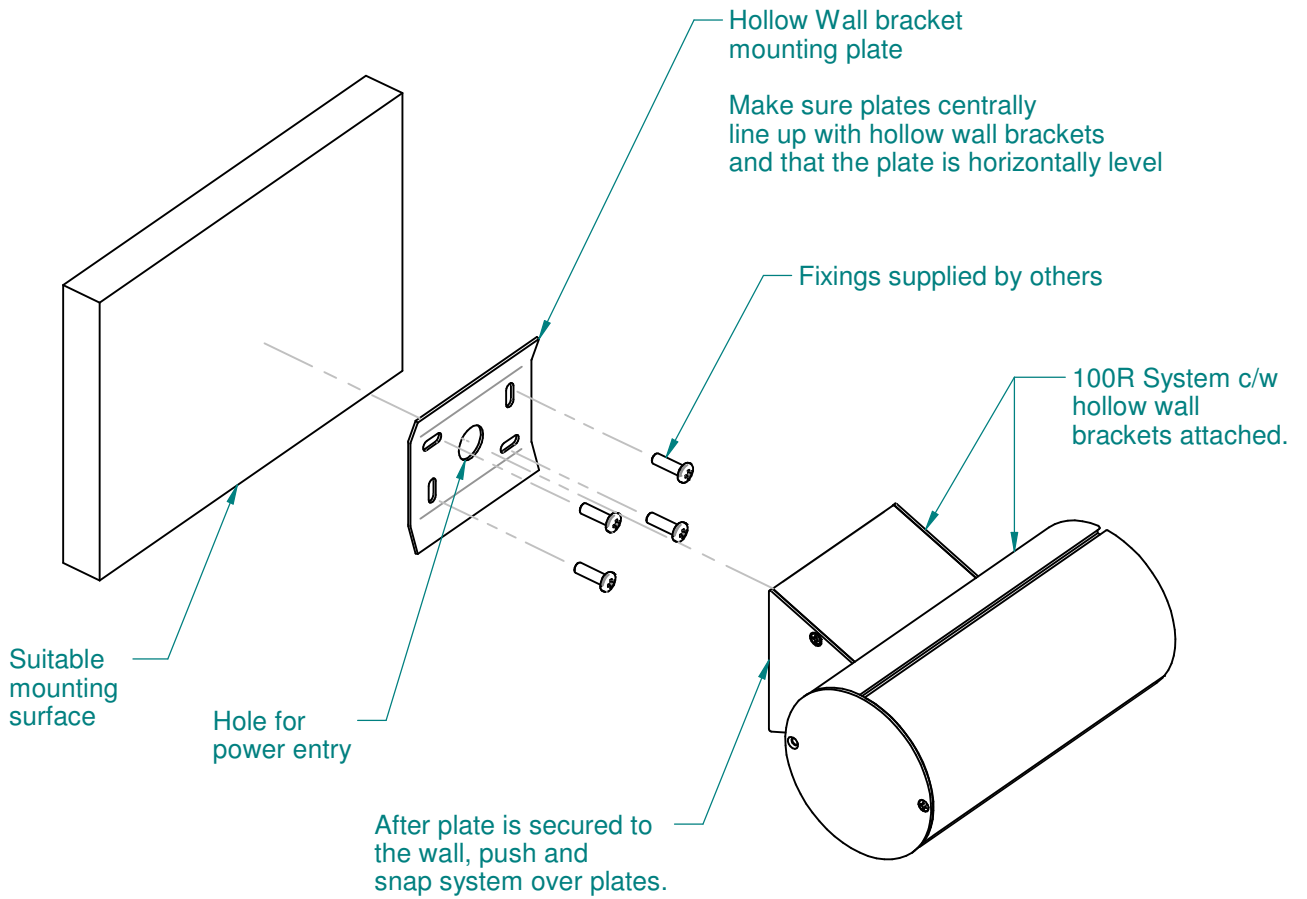
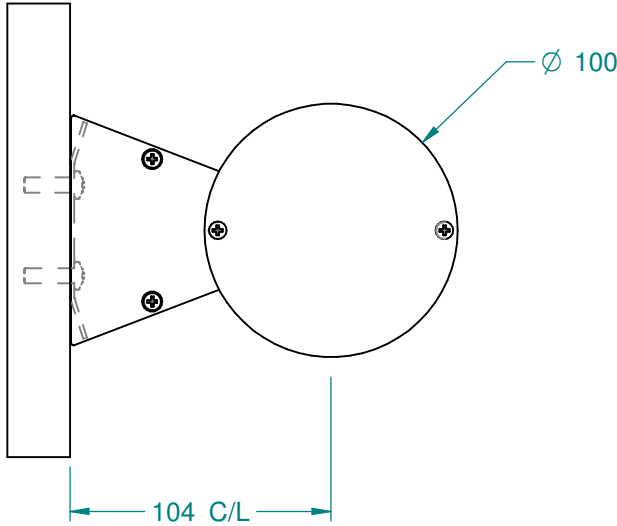
Important

Choosing an appropriate fixing to suit the mounting surface is the responsibility of the installer.

 <p>Timber/Concrete</p>	 <p>Gyrock</p>	 <p>Max Pivot</p>	 <p>2000 Max. Span</p> <p>Within 0.5m Join or bend</p>				
---	---	--	---	--	--	--	--

10559-04-B

100 Round Hollow Box Bracket Wall Mounting Instruction



Important

Choosing an appropriate fixing to suit the mounting surface is the responsibility of the installer.

--	--	--	--	--	--	--	--