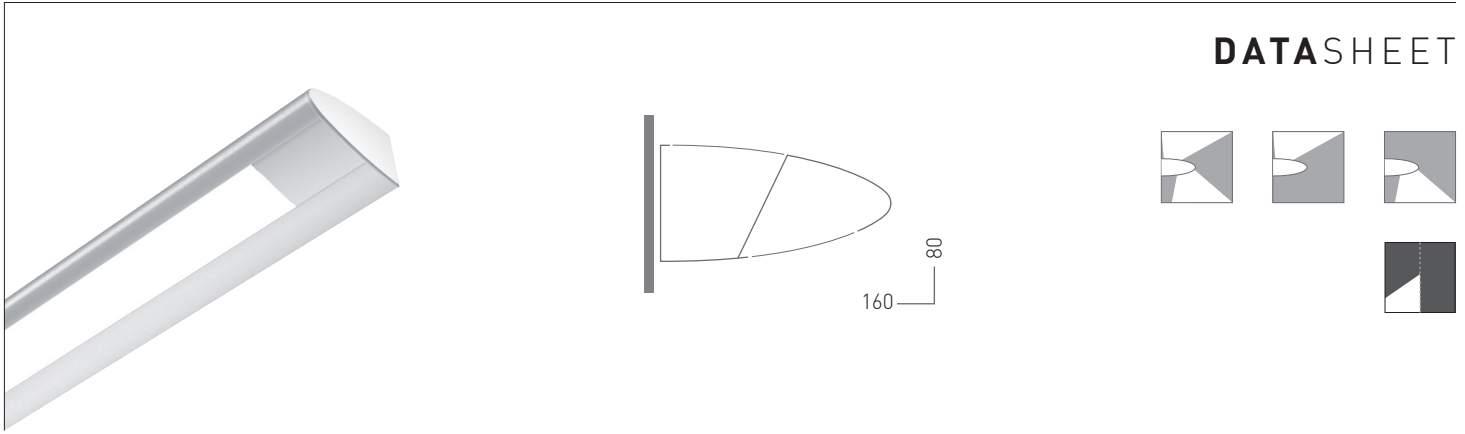


DATA SHEET



| DIRECT | LEDOptek | | | | | |
|---------------------------------|--|------|------|------|------|------|
| LED lumens/m | - | 1000 | 1500 | 2250 | 3350 | 4500 |
| Delivered Lumens/m ¹ | - | 721 | 1082 | 1622 | 2246 | 3245 |
| Standard CRI | >90 | | | | | |
| INDIRECT | | | | | | |
| LED lumens/m | 500 | 1000 | 1500 | 2250 | 3350 | - |
| Delivered Lumens/m ¹ | 405 | 810 | 1215 | 1823 | 2524 | - |
| Standard CRI | >90 | | | | | |
| System W/m | | | | | | |
| 2700K | 4.6 | 10.8 | 17.3 | 24.8 | 36 | 43.2 |
| 3000K | 4.4 | 9.1 | 15.8 | 23.5 | 34.5 | 41 |
| 3500K | 4.3 | 9.1 | 15.8 | 23.4 | 34.5 | 41 |
| 4000K | 4.2 | 9.7 | 14 | 22.7 | 33.4 | 38.9 |
| Other LED Options | 5000K · RGBW · tuneable white · cyanosis · high CRI 98 R9 > 80 | | | | | |
| Control | non dim · DALI · Casambi · 0-10V · DMX | | | | | |
| Optics | LEDOptek - asymmetrical | | | | | |
| Finish | white/black/silver powder coat standard · custom powder coat · clear anodised | | | | | |
| Weight/Pack Size | 4.9kg/m - 130 x 190 x (l + 200mm) | | | | | |
| Mounting | wall mount | | | | | |
| Accessories | mitred bends · patient night light and local rocker · integrated patient nurse call systems · patient pull cord switch concealed PA speaker systems · sensor · others available | | | | | |
| Luminaire Length | any length over 950mm with 800mm fully illuminated diffuser | | | | | |

1. Lumens based on LEDOptek - symmetrical optics

80E-LEDOptek-20210531-01

