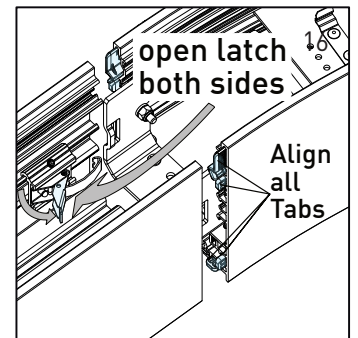
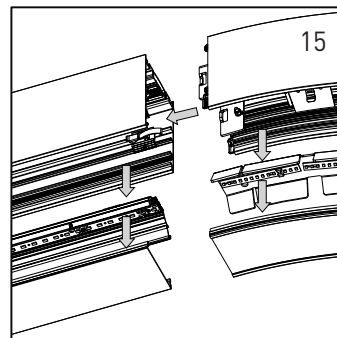
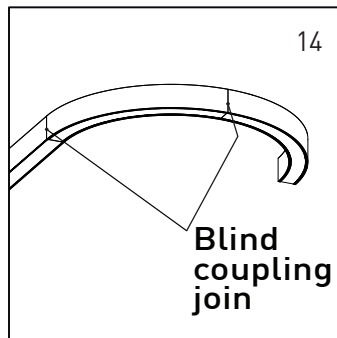
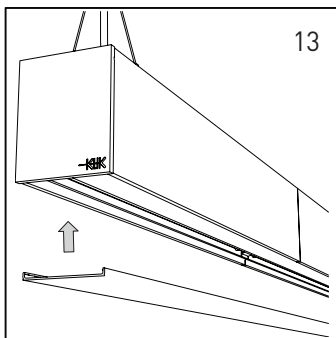
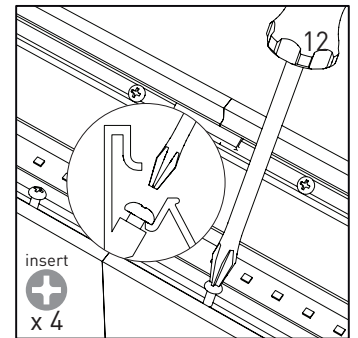
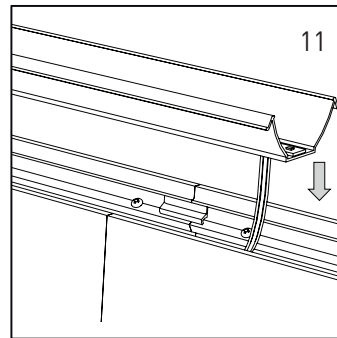
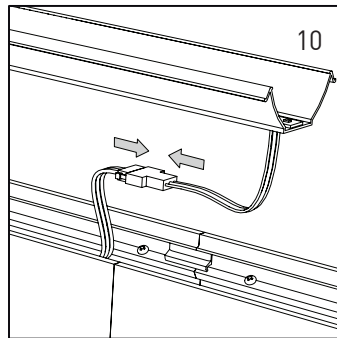
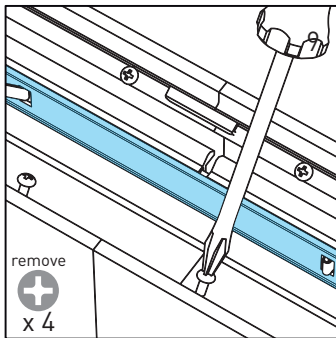
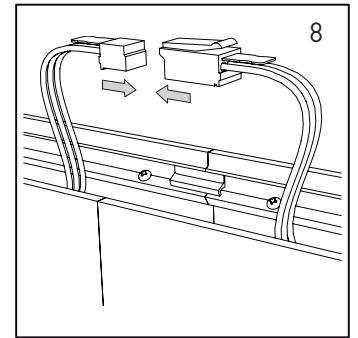
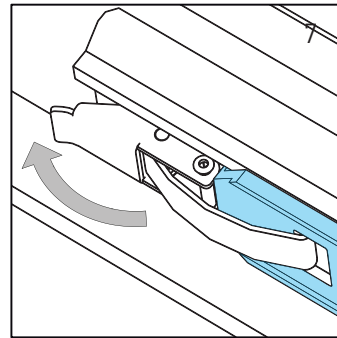
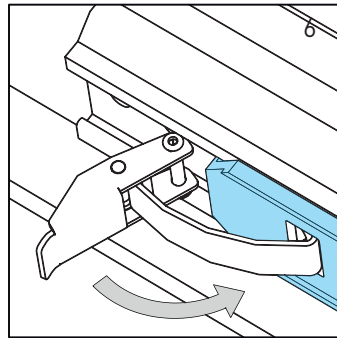
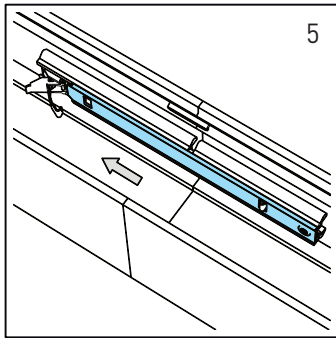
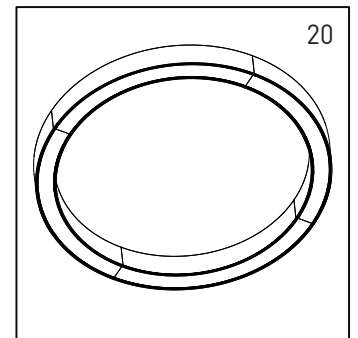
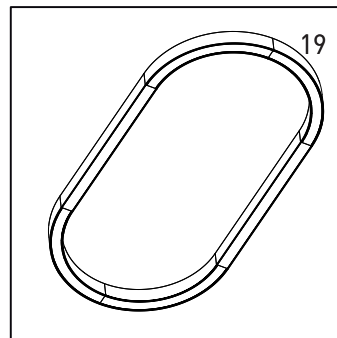
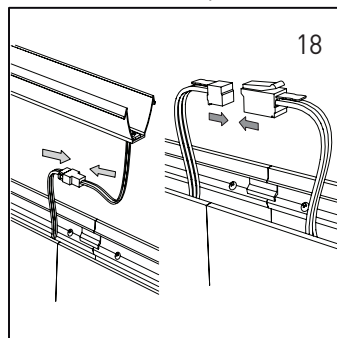
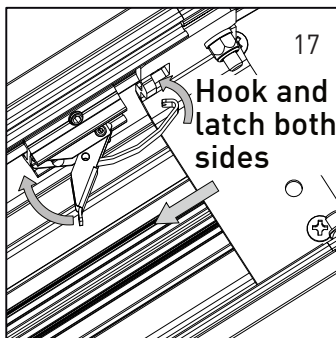


KALLI to KALLI Blind Coupling Steps 1-13



KALLI TO KURV Steps 14-20



Reconnect LED and power circuits