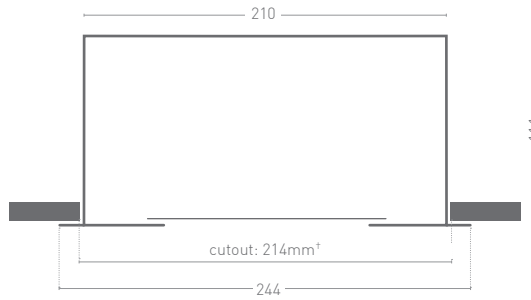
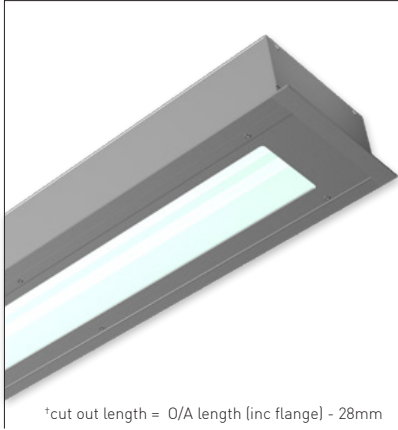
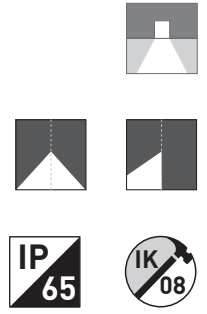


DATASHEET



*cut out length = O/A length (inc flange) - 28mm



| DIRECT | LEDoptek | | | | |
|---------------------------------|---|------|------|------|------|
| LED lumens/m | 1000 | 1500 | 2250 | 3350 | 4500 |
| Delivered Lumens/m ¹ | 598 | 897 | 1346 | 1863 | 2691 |
| Standard CRI | >90 | | | | |
| System W/m | | | | | |
| 2700K | 10.8 | 17.3 | 24.8 | 36 | 43.2 |
| 3000K | 9.1 | 15.8 | 23.5 | 34.5 | 41 |
| 3500K | 9.1 | 15.8 | 23.4 | 34.5 | 41 |
| 4000K | 9.7 | 14 | 22.7 | 33.4 | 38.9 |
| Other LED Options | 5000K · RGBW · tuneable white · cyanosis · high CRI 98 R9 > 80 | | | | |
| Control | non dim · DALI · Casambi · 0-10V · DMX | | | | |
| Optics | Primary: clear toughened glass · Secondary: LEDoptek - symmetrical · LEDoptek - asymmetrical · ULB with LEDoptek | | | | |
| Finish | white/black/silver powder coat standard · custom powder coat · clear anodised | | | | |
| Weight/Pack Size | 11.8kg/m - 210 x 260 (l + 200mm) | | | | |
| Mounting | direct fixed to overhead structure standard · suspended from bracket (on application) | | | | |
| Accessories | mitred bends · T-joins · camera · cable ducts · concealed PA speaker systems · sensors emergency recessed LED · others available | | | | |
| Luminaire Length | Based on minimum increments of 950mm (630mm luminous opening) or 1550mm (1230mm luminous opening) | | | | |

1. Lumens based on LEDoptek - symmetrical optics

KLIKLED-210RRIP-LEDoptek-20190619-01

