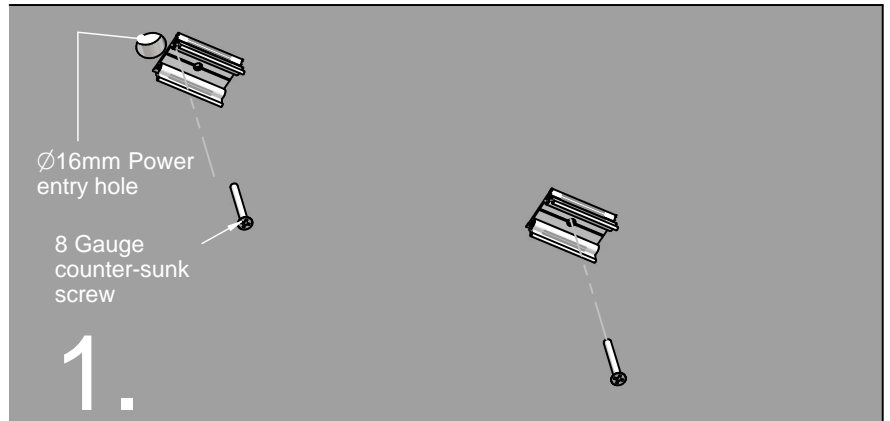
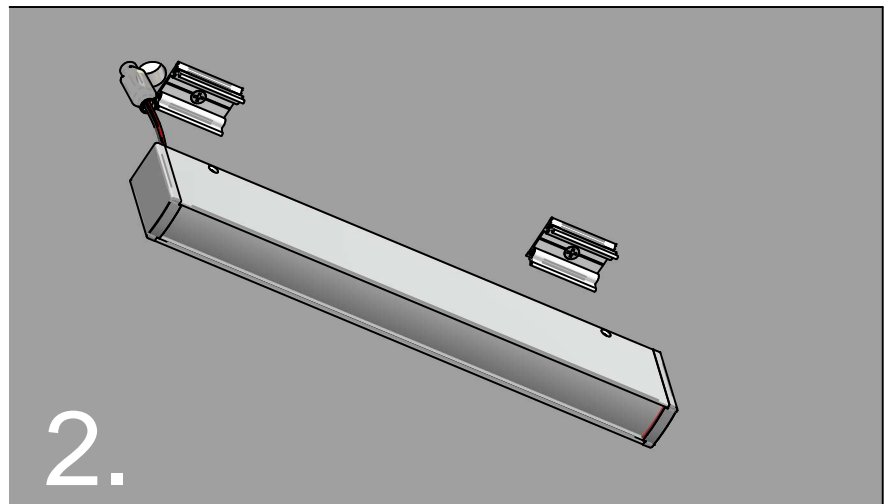


## LEDSTREAM CM Surface mount instruction with visible anti-vandal fixings on the body



Determine position of fitting and drill appropriate fixing holes and Ø16mm power entry hole. Screw mounting brackets into place.



Connect 24V power leads and snap lamp body into place.

### Important

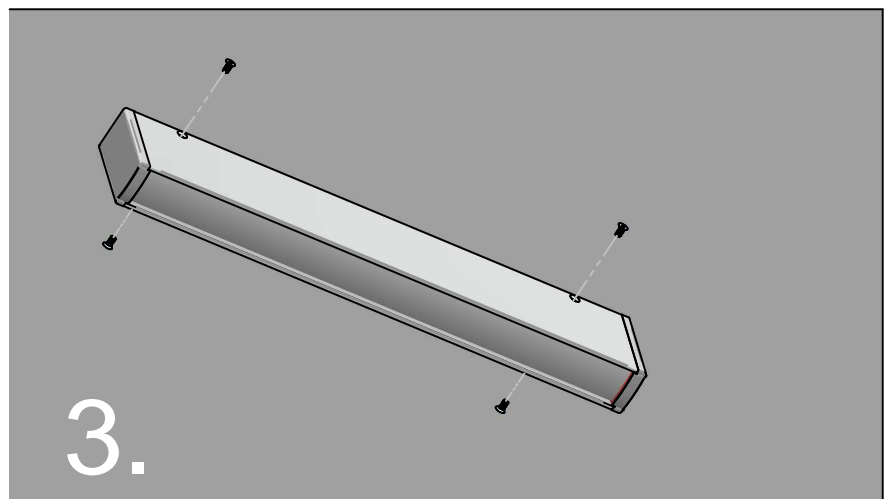
Maximum distance between fixings is 1200mm and 100mm from the ends or corners.

Using appropriate fasteners to suit the mounting surface is the responsibility of the installer.

[www.kliksystems.com](http://www.kliksystems.com)

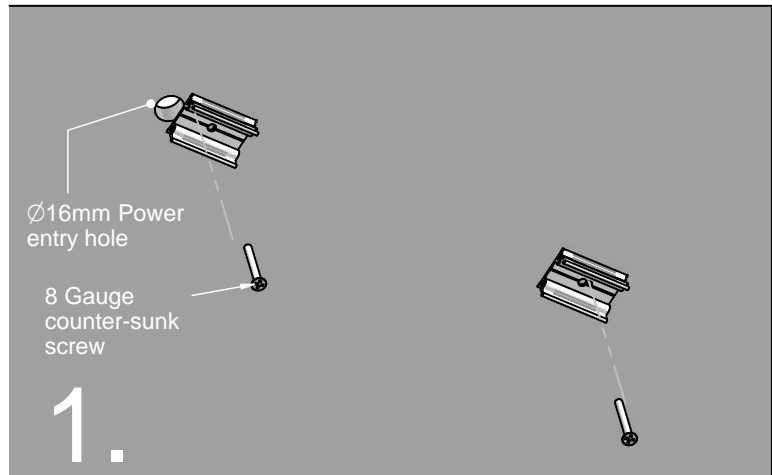
[info@kliksystems.com.au](mailto:info@kliksystems.com.au)

Page: 1 of 1 - 10766-05-A

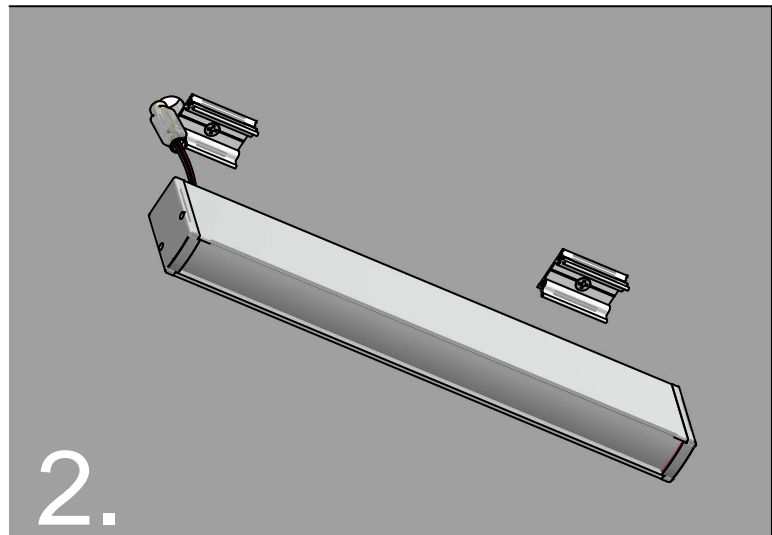


Using a 1.5mm Allen Key, screw on body to mounting brackets.

## LEDSTREAM CM Surface mount instruction with visible end cap fixings



Determine position of fitting and drill appropriate fixing holes and Ø16mm power entry hole. Screw mounting brackets into place.



Connect 24V power leads and snap lamp body into place.

### Important

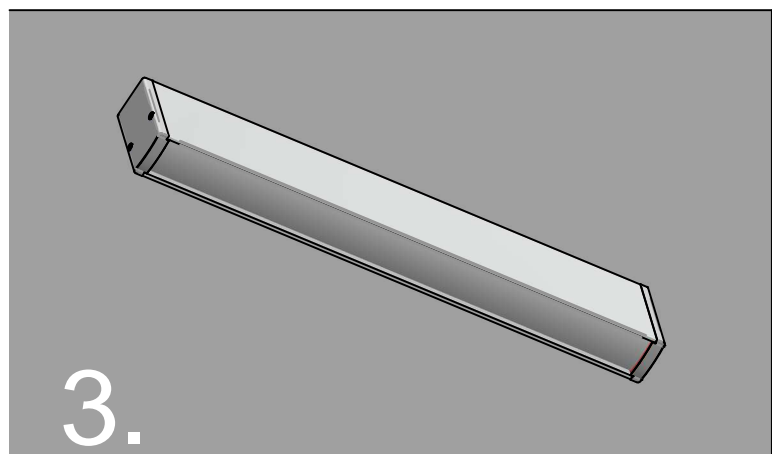
Maximum distance between fixings is 1200mm and 100mm from the ends or corners.

Using appropriate fasteners to suit the mounting surface is the responsibility of the installer.

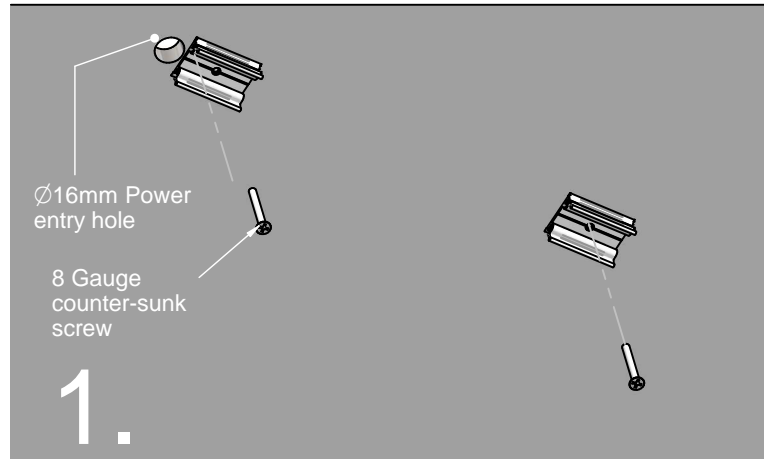
[www.kliksystems.com](http://www.kliksystems.com)

[info@kliksystems.com.au](mailto:info@kliksystems.com.au)

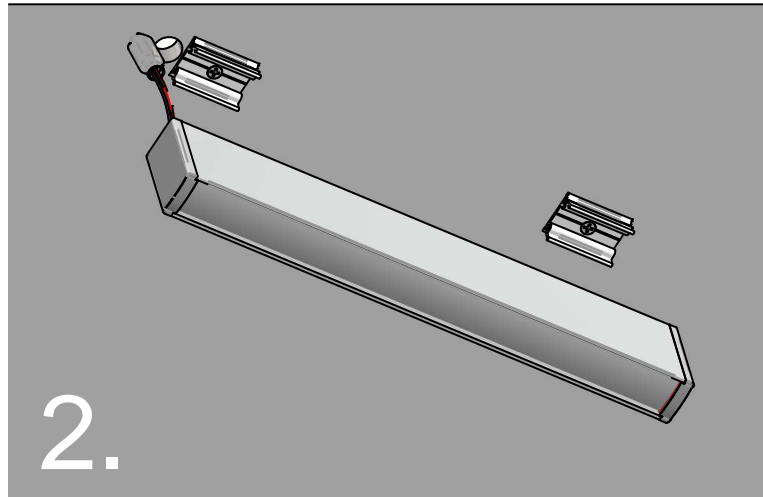
Page: 1 of 1 - 10766-07-A



## LEDSTREAM CM Surface mount instruction with concealed fixings



Determine position of fitting and drill appropriate fixing holes and Ø16mm power entry hole. Screw mounting brackets into place.



Connect 24V power leads and snap lamp body into place.

### Important

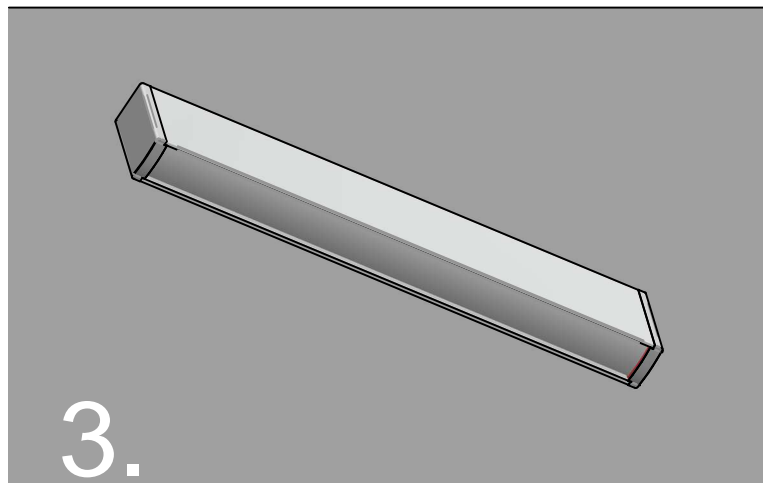
Maximum distance between fixings is 1200mm and 100mm from the ends or corners.

Using appropriate fasteners to suit the mounting surface is the responsibility of the installer.

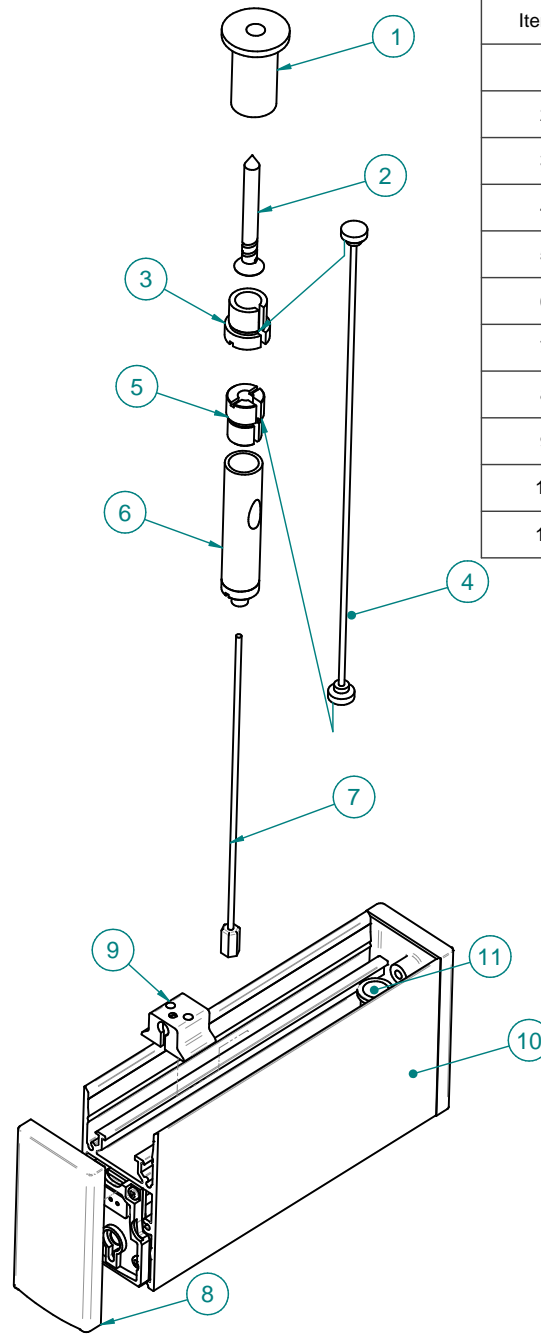
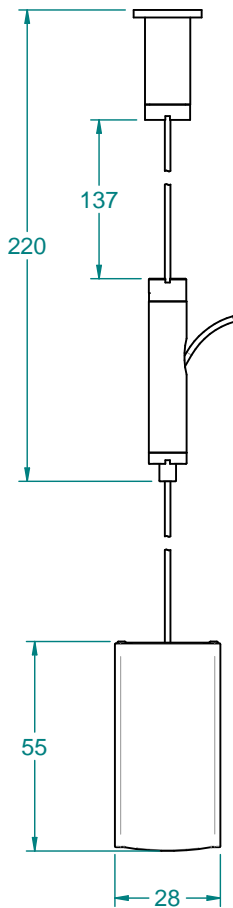
[www.kliksystems.com](http://www.kliksystems.com)

[info@kliksystems.com.au](mailto:info@kliksystems.com.au)

Page: 1 of 1 - 10766-06-A



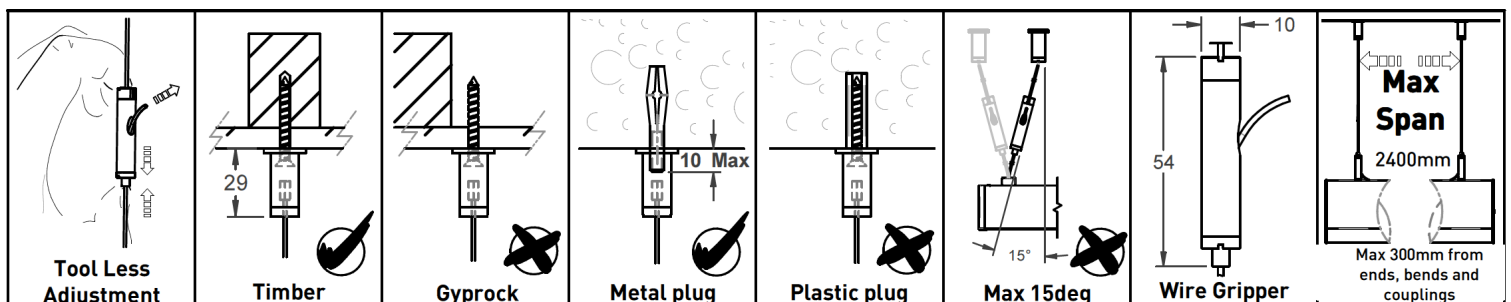
# LEDStream CM Suspension Wire Instruction



Item #	Part Name
1	Suspension Ceiling Barrel
2	8G x 38mm C/S self tapping screw
3	Suspension Ceiling Barrel cap
4	160B sling
5	Gripper Sling B
6	Gripper Sling assembly
7	Gripper Wire
8	Ledstream CM Endplate
9	Ledstream CM Suspension Bracket
10	Ledstream Body
11	Ø8mm Snap Bush

## Important

Using appropriate fasteners to suit the mounting surface is the responsibility of the installer. Units should be evenly suspended to avoid the over-loading of suspension wires. A maximum loading of 15kg is recommended on a single wire at any one time.



10337-55-A